



# SY7072

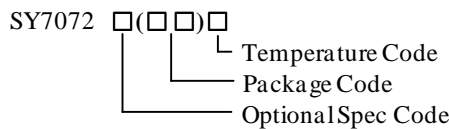
## 1.8V Minimum Input and 5.5V Maximum Output High Efficiency 2A Valley Current Synchronous Boost Advanced Design Specification

### General Description

SY7072 is a high efficient, synchronous, step-up Boost converter designed for one-cell Li-Ion or Li-polymer, or a two to three-cell alkaline Ni-Cd or Ni-MH battery powered applications. It can convert down to 1.8V input voltage. It adopts NMOS for the main switch and PMOS for the synchronous switch.

SY7072 can disconnect the output from input during the shutdown mode. When input voltage exceeds the regulated output voltage, SY7072 enters bypass mode automatically.

### Ordering Information



Ordering Number	Package type	Note
SY7072ABC	SOT23-6	----

### Features

- 1.8V Minimum Input Voltage
- Adjustable Output Voltage from 1.8V to 5.5V
- Auto Output Capacitor Discharge When Shutdown
- Min 2A Valley Current Limit
- 5 $\mu$ A Typical Quiescent Current
- Load Disconnect During Shutdown
- Low  $R_{DS(ON)}$  (Main Switch/Synchronous Switch) at 3.3V Output: 100/170m $\Omega$
- Output OVP
- Auto Bypass Mode When  $V_{IN} \geq V_{OUT}$
- Compact Package SOT23-6

### Applications

- All Single Cell Li or Dual Cell Battery Operated Products as MP-3 Player, PDAs, and Other Portable Equipment.

### Typical Applications

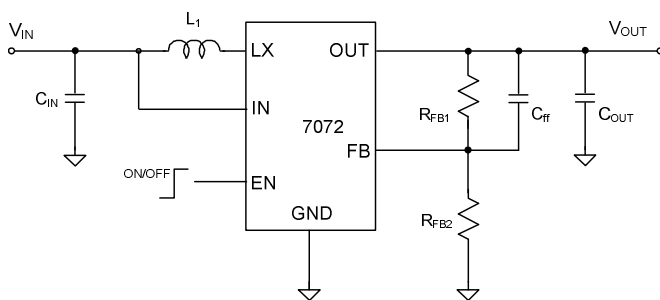


Figure 1. Schematic Diagram

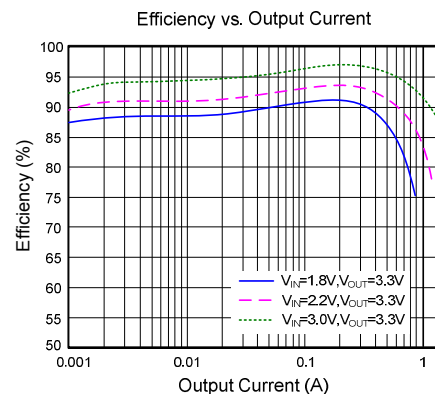
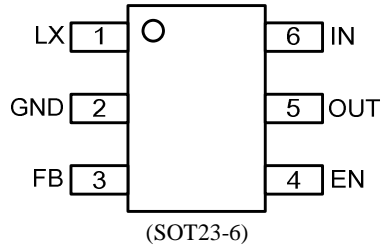


Figure 2. Efficiency vs. Load Current

## Pinout (top view)



Top mark: Uxyz for SY7072ABC (Device code: U, y, x=year code, y=week code, z= lot number code)

Pin Name	Pin Number	Pin Description
LX	1	Inductor node. Connect an inductor between the IN pin and the LX pin.
GND	2	Ground pin.
FB	3	Feedback pin. Connect a resistor $R_{FB1}$ between OUT and FB, and a resistor $R_{FB2}$ between FB and GND to program the output voltage. $V_{OUT}=1.2V \times (R_{FB1}/R_{FB2}+1)$ .
EN	4	Enable pin. Pull high to turn on. Do not leave it floating.
OUT	5	Output pin. Decouple this pin to the GND pin with a minimum of 22 $\mu$ F ceramic capacitor.
IN	6	Input pin.

## Block Diagram

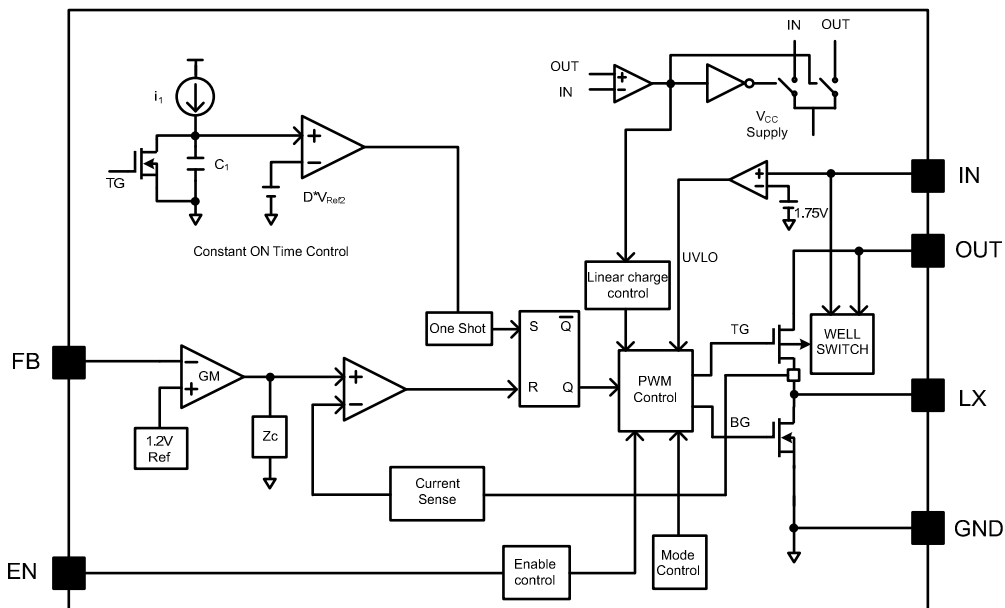


Figure3. Block Diagram



### Absolute Maximum Ratings (Note 1)

All Pins	6.0V
Power Dissipation, $P_D$ @ $T_A=25^\circ\text{C}$ SOT23-6	1W
Package Thermal Resistance (Note 2)	
$\theta_{JA}$	100°C/W
$\theta_{JC}$	30°C/W
Junction Temperature Range	150°C
Lead Temperature (Soldering, 10 sec.)	260°C
Storage Temperature Range	-65°C to 150°C

### Recommended Operating Conditions (Note 3)

IN	1.8V to 5.5V
OUT	1.8V to 5.5V
EN	0V to $V_{OUT}+0.3\text{V}$
All other pins	0-5.5V
Junction Temperature Range	-40°C to 125°C
Ambient Temperature Range	-40°C to 85°C



## Electrical Characteristics

( $V_{IN}=2.4V$ ,  $V_{OUT}=3.3V$ ,  $I_{OUT}=500mA$ ,  $T_A = 25^{\circ}C$ , unless otherwise specified)

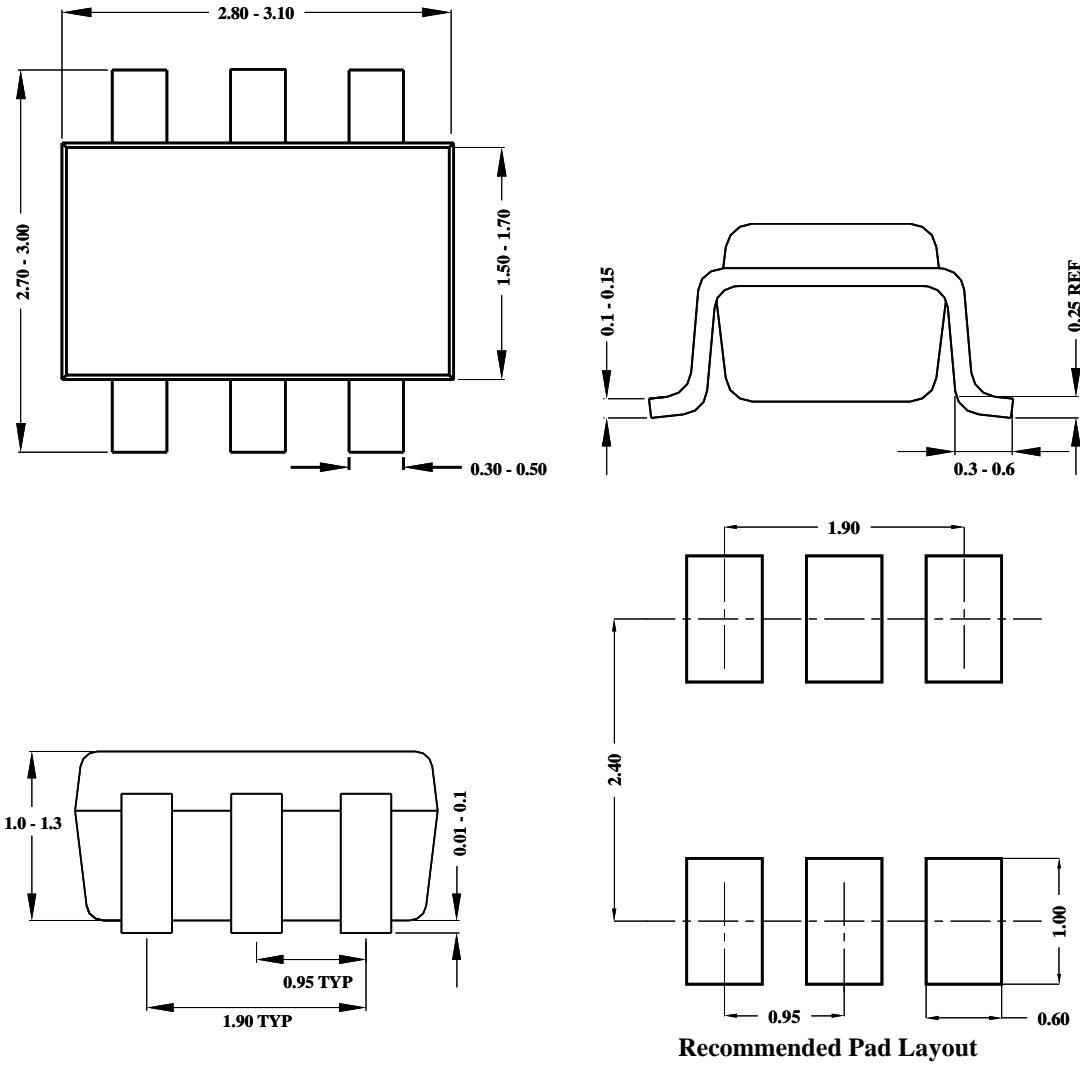
Parameter	Symbol	Test Conditions	Min	Typ	Max	Unit
Input Voltage Range	$V_{IN}$		1.8		5.5	V
Input UVLO Threshold	$V_{UVLO}$			1.65	1.75	V
Input UVLO Hysteresis	$V_{HYS}$			0.1		V
Quiescent Current	$V_{IN}$	$V_{FB}=1.3V, V_{EN}=V_{IN}=2V, V_{OUT}=3.4V$		1		$\mu A$
	$V_{OUT}$			5		$\mu A$
Shutdown Current	$I_{SHDN}$	$V_{EN}=0V, V_{IN}=2.4V$		0.1	1	$\mu A$
Feedback Reference Voltage	$V_{REF}$		1.182	1.2	1.218	mV
Output Discharge Current	$I_{DIS}$	$V_O=3.3V$		44		mA
Output Discharge Resistance	$R_{DIS}$			75		$\Omega$
Low Side Main FET $R_{ON}$	$R_{DS(ON)1}$			170		m $\Omega$
Synchronous FET $R_{ON}$	$R_{DS(ON)2}$			100		m $\Omega$
EN Input Voltage High	$V_{EN,H}$		1.2			V
EN Input Voltage Low	$V_{EN,L}$				0.4	V
EN Leakage Current	$I_{EN,LK}$	$V_{EN}=3.3V$	-1		1	$\mu A$
Min ON Time	$t_{ON,MIN}$			60		ns
Min OFF Time	$t_{OFF,MIN}$			140		ns
Soft-Start Time	$t_{SS}$			1		ms
Switching Frequency	$F_{SW}$	$V_{OUT}=3.3V, CCM$		1		MHz
Valley Current Limit	$I_{LMT,VAL}$		2			A
Output Over Voltage Threshold	$V_{OVP}$			5.8		V
Output Over Voltage Hysteresis	$V_{OVP,HYS}$			0.3		V
Thermal Shutdown Temperature	$T_{SD}$			150		$^{\circ}C$
Thermal Shutdown Hysteresis	$T_{HYS}$			20		$^{\circ}C$

**Note 1:** Stresses beyond the “Absolute Maximum Ratings” may cause permanent damage to the device. These are stress ratings only. Functional operation of the device at these or any other conditions beyond those indicated in the operational sections of the specification is not implied. Exposure to absolute maximum rating conditions may affect device reliability.

**Note 2:** Package thermal resistance is measured in the natural convection at  $T_A = 25^{\circ}C$  on a two-layer Silergy Evaluation Board.

**Note 3:** The device is not guaranteed to function outside its operating conditions.

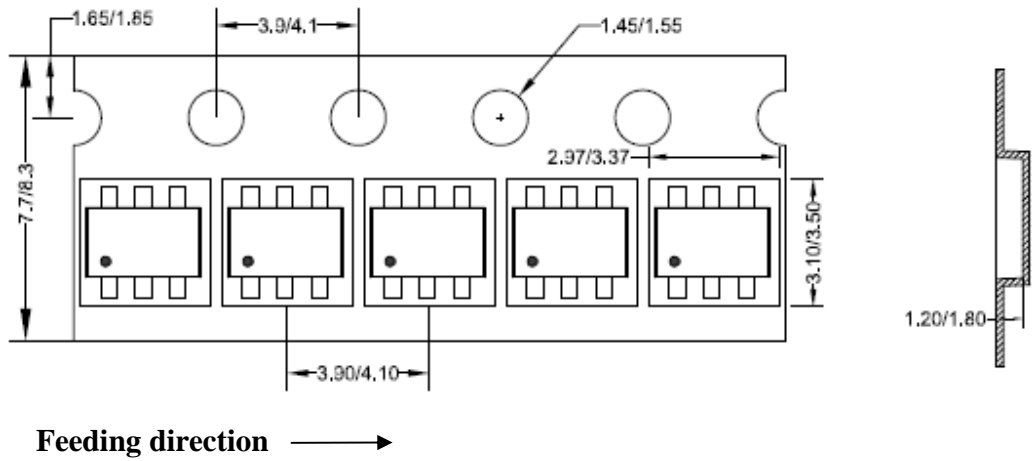
**SOT23-6 Package Outline & PCB Layout Design**



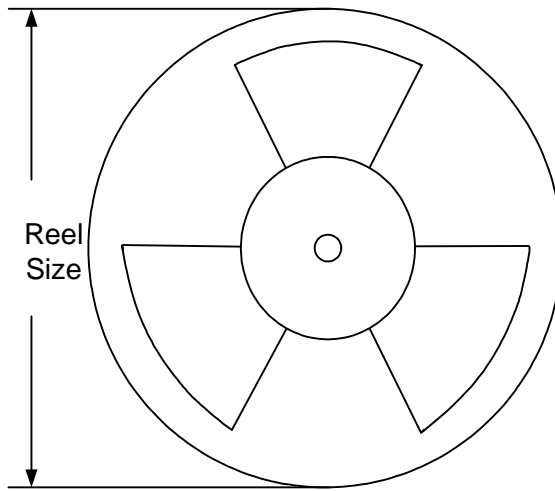
**Notes: All dimensions are in millimeters.  
 All dimensions don't include mold flash & metal burr.**

**Taping & Reel Specification**

**1. Taping orientation for packages (SOT23-6)**



**2. Carrier Tape & Reel specification for packages**



Package type	Tape width (mm)	Pocket pitch(mm)	Reel size (Inch)	Trailer length(mm)	Leader length (mm)	Qty per reel
SOT23-6	8	4	7"	280	160	3000

**3. Others: NA**